

**CONDENSING COMMERCIAL GAS
WATER HEATERS**

ARMOR[®] CONDENSING WATER HEATER

8 MODELS FROM 150,000 TO 800,000 BTU/HR

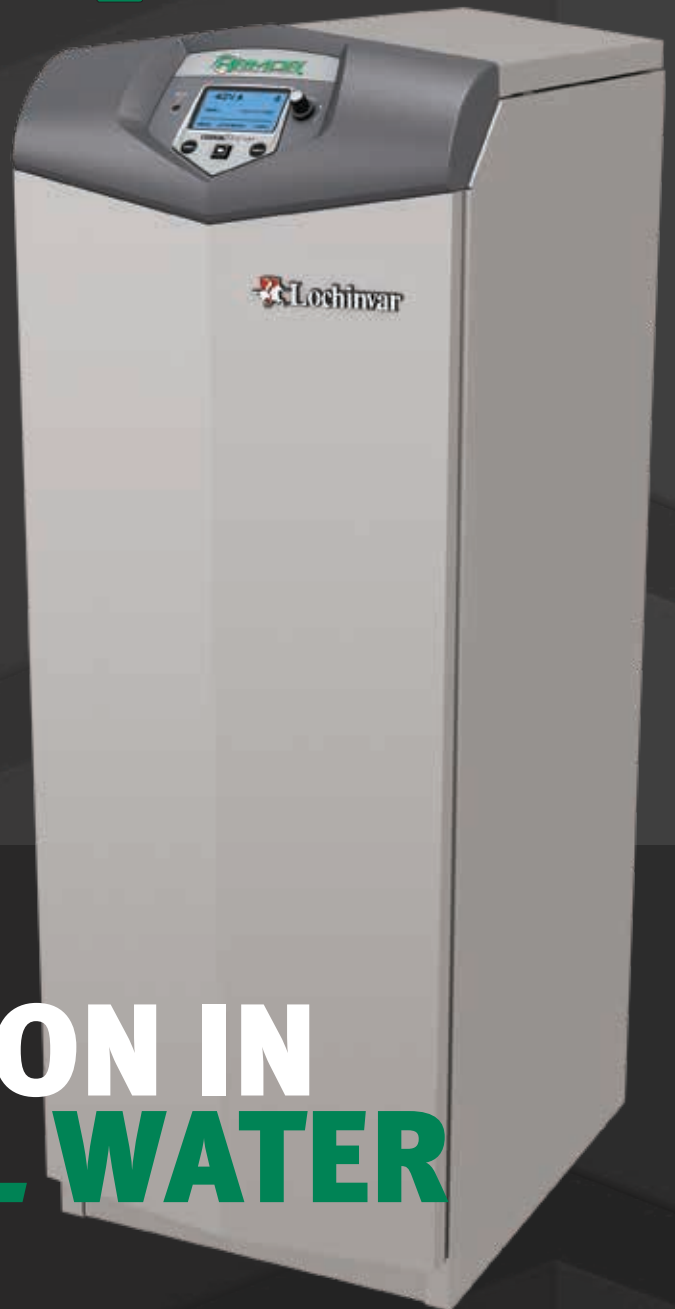
96% THERMAL EFFICIENCY

5:1 TURNDOWN RATIO

CONDENSING STAINLESS STEEL
HEAT EXCHANGER

SMART SYSTEM[™]
W/CASCADING SEQUENCER

CONXUS[®]
REMOTE CONNECT CAPABLE



AN INNOVATION IN COMMERCIAL WATER HEATING

DESIGNED ★ ENGINEERED ★ ASSEMBLED

USA

 **Lochinvar**[®]

ARMOR[®]

CONDENSING WATER HEATER

A BETTER WAY TO ACHIEVE 96% THERMAL EFFICIENCY

ARMOR is a fully condensing commercial gas water heater. Available in eight models with inputs ranging from 150,000 to 800,000 Btu/hr, the ARMOR achieves 96% thermal efficiency.

SEPARATE TANK FOR FLEXIBILITY, LOWER REPLACEMENT COSTS

With standard tank-type water heaters, your choices are limited when it comes to matching input with storage capacity to meet "peak demand" delivery requirements. With ARMOR, you can match one or more water heaters with one or more storage tanks in a wide variety of sizes. Lochinvar Lock-Temp[®] tanks are available from our 80-gallon vertical to the 5000-gallon vertical or horizontal model. Another advantage of the ARMOR "dual component" system is lower replacement costs. Standard tank-type designs require replacement of the entire water heater. With ARMOR, you'll save time and money by only replacing individual components as needed, such as the pump or storage tank.



FULLY MODULATING WITH 5:1 TURNDOWN

ARMOR features advanced Negative Regulation (Neg/Reg) sealed combustion technology, permitting fan speed to constantly adjust the volume of fuel and air entering the burner. This ensures that ARMOR can safely and reliably operate with supply gas pressure as low as 4 inches water column.

AW (286-801)

ARMOR is equipped with fully modulating combustion with 5:1 turndown. This means ARMOR can fire as low as 20% of maximum input when water heating demand is lowest, and increase the firing rate up to 100% as demand increases. The result is better overall efficiency and less cycling, compared to "on-off" tank-type units which can only fire at 100% input.

STAINLESS STEEL CONDENSING HEAT EXCHANGER

The ARMOR's stainless steel heat exchanger is built to ASME Section IV requirements. Its design provides superior resistance to corrosion caused by condensation from low entering water temperatures. Non - Condensing commercial water heaters will fail early with low entering water temperatures; however, with the ARMOR the lower the supply water temperature the more efficiently it performs throughout the life of the heater.

DIRECT-VENTING UP TO 100 FEET



Sidewall Vent Termination

ARMOR offers 7 venting options and tremendous flexibility for placement of units within the building, because it permits direct-vent air intake and exhaust runs up to 100 equivalent feet using either PVC, CPVC, Polypropylene or AL29-4C stainless steel vent pipe. Intake and exhaust runs can terminate horizontally through a sidewall or vertically through the roof.

**Optional Concentric Vent Kit Sold Separately (for 151-601 Models)*



**FACTORY SUPPLIED AND
SHIPPED STANDARD
WITH EVERY MODEL**

Lochinvar SMART SYSTEM™

WATER HEATER CONTROL, FROM ANYWHERE.

ARMOR features the next generation of Lochinvar's all-in-one SMART SYSTEM operating control with an advanced multi-color LCD interface. SMART SYSTEM provides outstanding functionality, and can be integrated directly into a Building Management System via ModBus and other communication protocols. And now, the CON·X·US mobile communication platform allows SMART SYSTEM to go where no other water heater has gone before.†

CON·X·US provides the ability to monitor and manage Armor water heaters without ever stepping into the mechanical room. CON·X·US will send alerts via text or e-mail with notification of changes in system status, and anytime, from anywhere, a user can check system status and re-program water heater functions. Once downloaded, the free CON·X·US mobile application allows for remote access to all SMART SYSTEM functions using any internet-capable device.



† CON·X·US board sold separately. See back cover for a complete list of SMART SYSTEM features.

LONG-LASTING "LIFE CYCLE" EFFICIENCY

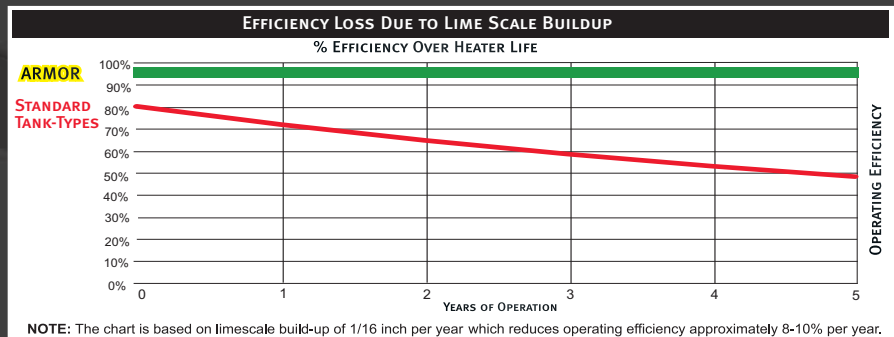
In a standard tank-type water heater, lime scale builds up over time on important heat transfer surfaces, insulating the water from the heat source. This decreases thermal efficiency and increases operating cost. Just 1/4" of lime scale can increase operating costs as much as 25%! This buildup in the bottom of the tank and around the flue tubes can cause tank-type heaters to fail in as little as 2-3 years.

ARMOR's "Better idea" concept eliminates the impact of lime scale, maintaining a high-rated thermal efficiency and low operating cost throughout its long life cycle.

The chart below illustrates how ARMOR is a better way, delivering true "life cycle efficiency" compared to standard tank-type units.



Traditional tank-type water heater flue tubes with nearly 6" of lime scale buildup



7 FLEXIBLE VENTING OPTIONS - Up to 100 feet of air intake and 100 feet of exhaust vent with PVC, CPVC, Polypropylene or Stainless Steel.

Direct Vent Sidewall

Direct Vent Vertical

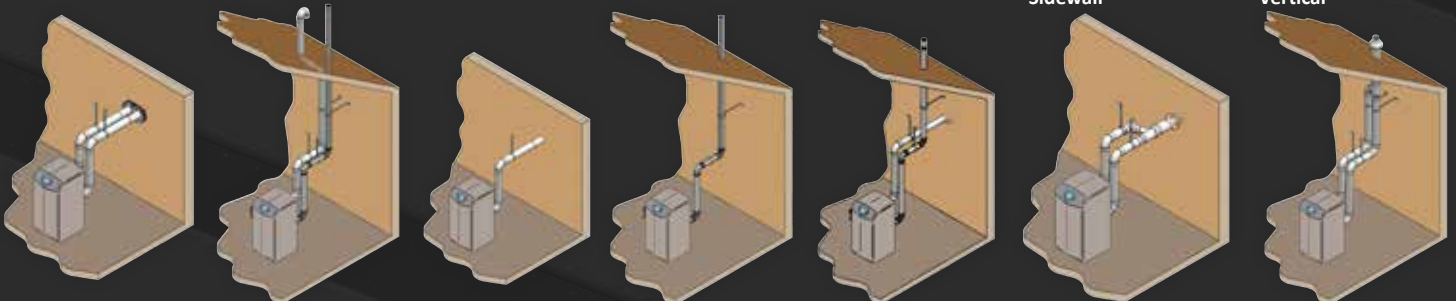
Room Air Sidewall

Room Air Vertical

Vertical w/Sidewall Air

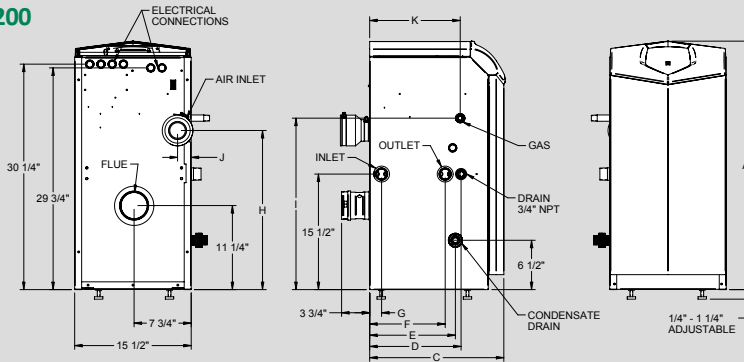
Concentric Direct Vent Sidewall*

Concentric Direct Vent Vertical*

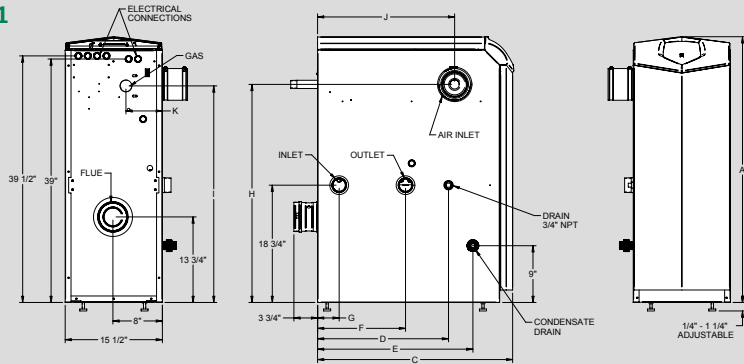


ARMOR™ WATER HEATER DIMENSIONS AND SPECIFICATIONS

MODELS 151 & 200



MODELS 286-801



Model Number Guide			
AW	N	151	PM
Armor Water Heater		Natural Gas	Btu/hr Input
			Pump Mount

Armor Water Heater,
Natural Gas,
150,000 Btu/hr Input,
Pump Mount

ARMOR WATER HEATER			DIMENSIONS & SPECIFICATIONS														
Model Number	Btu/hr Input	GPH @ 100° Rise	A	C	D	E	F	G	H	I	J	K	Gas Conn.	Water Conn.	Air Inlet	Vent Size	Shipping Wt. (lbs.)
AWN151PM	150,000	175	33-1/4"	18"	12-1/4"	11-1/2"	10"	1-1/2"	21-1/4"	23"	1-3/4"	12"	1/2"	1-1/4"	3"	3"	165
AWN200PM	199,000	232	33-1/4"	22-1/4"	16-1/2"	15-3/4"	14-1/4"	5-1/4"	21-1/4"	23"	1-3/4"	16-1/4"	1/2"	1-1/4"	3"	3"	181
AWN286PM	285,000	332	42-1/2"	19-3/4"	12-3/4"	13-1/2"	6"	2"	34"	31"	11-3/4"	4-1/4"	3/4"	2"	4"	4"	236
AWN400PM	399,000	464	42-1/2"	27"	21"	20-3/4"	14"	3-1/2"	34"	34"	18-3/4"	2"	1"	2"	4"	4"	306
AWN501PM	500,000	582	42-1/2"	31-1/2"	21"	25"	14"	3-1/2"	35"	35"	22"	5-3/4"	1"	2"	4"	4"	339
AWN601PM	600,000	699	42-1/2"	36-1/4"	21"	25"	14"	3-1/2"	36"	32-3/4"	19-1/2"	5-1/2"	1"	2"	4"	4"	380
AWN701PM	700,000	815	42-1/2"	40-1/4"	23"	29"	17"	3-1/2"	36"	32-3/4"	23-1/2"	3-1/4"	1"	2"	4"	6"	461
AWN801PM	800,000	931	42-1/2"	45-1/4"	23"	33-1/4"	17"	3-1/2"	36"	32-3/4"	27-3/4"	3-1/4"	1"	2"	4"	6"	527

STANDARD FEATURES

- › 96% Thermal Efficiency (AHRI Certified)
- › Modulating Burner with 5:1 Turndown
 - Direct-Spark Ignition
 - Low NOx Operation
 - Sealed Combustion
 - Low Gas Pressure Operation
- › Vertical & Horizontal Direct-Vent
 - PVC, CPVC, Polypropylene or Stainless Steel up to 100 Feet
 - PVC/CPVC Sidewall Vent Termination
- › Stainless Steel Heat Exchanger
 - All Welded Construction, Gasketless Design
 - 160 psi Working Pressure
 - ASME Construction (AW 286-801)
 - Natural to L.P. Conversion Kit
 - Stainless Steel Circulating Pump
 - On/Off Switch
 - Flow Switch
 - ASME Temperature & Pressure Relief Valve (286-801)
 - Downstream Test Valves (AW 501-801)
 - Adjustable Leveling Legs
 - Tank Sensor
 - Adjustable High Limit w/ Manual Reset
 - Automatic Reset High Limit
 - Condensate Trap
 - Zero Clearances to Combustible Material
 - 5 Year Limited Warranty (See Warranty for Details)
 - 1 Year Parts Warranty (See Warranty for Details)

SMART SYSTEM FEATURES

- › SMART SYSTEM Digital Operating Control
 - Multi Color Graphic LCD Display
- › Built in Cascading Sequencer for up to 8 Water Heaters
 - Multiple Size Water Heater Cascade
 - Lead Lag
 - Efficiency Optimization
 - Front-End Loading Capability with CopperFin II
- › Building Management System Integration
 - 0-10 VDC Input to Control Modulation or Set point
 - 0-10 VDC Modulation Rate Output
 - 0-10 VDC Input to Enable/Disable call for heat
 - Access to BMS Settings Through Graphic LCD Display
 - Low Water Flow Safety Control & Indication
 - Inlet & Outlet Temperature Sensors & Readout
 - Flue Temperature Sensor
 - Water Heater Pump Control
 - Pump Delay with Freeze Protection
 - Pump Exercise
 - Night Setback
 - Building Recirculation Loop Pump Control
 - Night Setback of Building Recirculation Loop
 - Time Clock
- › Maintenance Reminder
 - Ability to program installer name and number into the product as service contact
- › High Voltage Terminal Strip
 - 120 VAC / 60 Hertz / 1 Phase Power Supply
 - Water Heater Pump Control Contacts
 - Building Recirculation Pump Control Contacts

› Low Voltage Terminal Strip

- 24 VAC Auxiliary Device Relay
- Auxiliary Proving Switch Contacts
- Flow Switch Contacts
- Alarm on Any Failure Contacts
- Runtime Contacts
- Tank Sensor Contacts
- Cascade Contacts
- 0-10 VDC BMS External Control Contacts
- 0-10 VDC Boiler Rate Output Contacts

FIRING CONTROL SYSTEMS

M9 Standard Construction

OPTIONAL EQUIPMENT

- CON-X-US® Remote Connectivity
- Alarm on any failure
- Condensate Neutralization Kit
- High & Low Gas Pressure Switches (AW 501-801)
- Concentric Vent Kit (3" & 4" PVC/CPVC only)
- BMS Gateway to LON
- BACnet Communication
- ModBus Communication
- SMART SYSTEM PC Software
- Room Air Vent Kits
- Stack Frame



Lochinvar, LLC
300 Maddox Simpson Parkway
Lebanon, Tennessee 37090
P: 615.889.8900 / F: 615.547.1000

Lochinvar.com

