



Lochinvar®

LOCK-TEMP® ROUND JACKETED TANK

Submittal Sheet

TRJ-Sub-09

LOCK-TEMP® ROUND JACKETED STORAGE TANK

Job Name: _____

Location: _____

Engineer: _____

Agent/Wholesaler: _____

Contractor: _____

Model Number: _____

Gallon Capacity: _____

Tank Construction:
Vertical Horizontal

Working Pressure: _____

Tank Lining:
Glass Cement

Tank Height: _____ Tank Dia.: _____

Equipment Tag(s): _____

NOTES:

Standard Features

- Five-Year Limited Warranty (See warranty for details)
- Lock-Temp Baffle
- Magnesium Anode
- ASME Certified, "HLW" Stamped (Except RJS models)
- 125 Working Pressure (Except RJ models)

Optional Tank Linings

- Glass Lined
- Cement Lined

Optional Equipment

- 150 psi Working Pressure
- Temperature and Pressure Gauge
- Handhole (4"x 6")
- Lifting Lugs
- Manway (Optional on 34" and 40" diameter only)
- 125 psi Temperature and Pressure Relief Valve
- 150 psi Temperature and Pressure Relief Valve

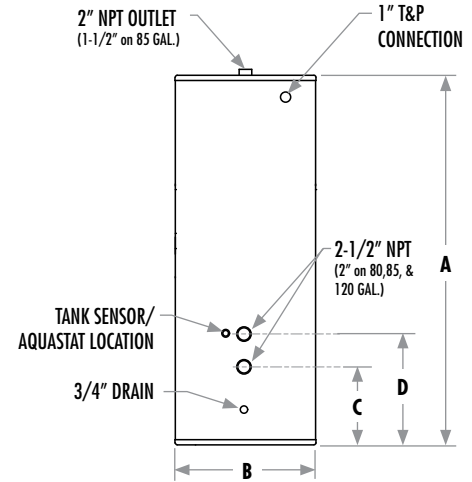


Lock-Temp® Round Jacketed Storage Tanks Dimensions & Specifications

Vertical Round Jacketed Glass Lined Tanks

Model Number	Gal. Cap.	A	B	C	D	Shipping Weight	
						125 psi	150 psi
RJS080M	80	63"	25-1/4"	9-1/4"	14-1/4"	-	240
RJS085M	85	49-1/2"	28"	9-1/2"	14-1/2"	-	255
RJS120M	119	62"	29-1/2"	9-1/2"	14-1/2"	-	352
RJA120	119	62-1/2"	28"	9-1/2"	14-1/2"	-	365
RJA175	175	66-1/4"	32"	11-1/4"	17-1/4"	-	578
RJA200	200	77-1/4"	32"	11-1/4"	17-1/4"	-	634

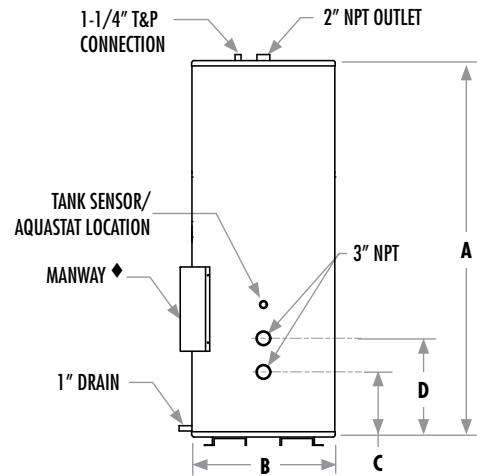
Models in this table are Glass Lined only
 A in model number indicates ASME Construction
 RJS120M is 160 psi working pressure



Vertical Round Jacketed ASME Tanks

Model Number	Gal. Cap.	A	B	C	D	Shipping Weight	
						125 psi	150 psi
R*A0257	257	91"	34"	18"	26"	904	904
R*A0318	318	80"	40"	19-1/2"	27-1/2"	987	987
R*A0432	432	80"	46"	21"	29"	1,188	1,188
R*A0504	504	92"	46"	21"	29"	1,329	1,329
R*A0650	650	92"	52"	23-1/2"	31-1/2"	1,817	1,817
R*A0752	752	104"	52"	23-1/2"	31-1/2"	2,030	2,030
R*A0940	940	128"	52"	23-1/2"	31-1/2"	2,710	2,710

* Indicates tank lining: Use G=Glass Lined; C=Cement Lined

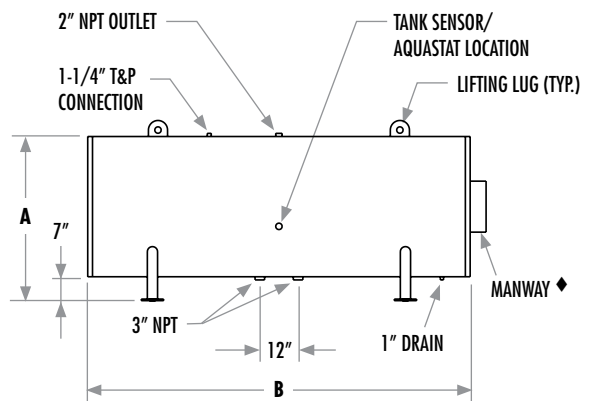


◆ Manway is optional on 257 and 318 gal. only.
 Manway is standard on 432 gal. and larger.

Horizontal Round Jacketed ASME Tanks

Model Number	Gal. Cap.	A	B	Dia.	Shipping Weight	
					125 psi	150 psi
R*A0250H	250	41"	87"	34"	1,157	1,157
R*A0300H	300	47"	76"	40"	1,355	1,355
R*A0400H	400	53"	76"	46"	1,587	1,701
R*A0500H	500	53"	88"	46"	1,711	1,853
R*A0600H	600	59"	88"	52"	2,053	2,053
R*A0700H	700	59"	100"	52"	2,399	2,399
R*A1000H	1000	59"	124"	52"	3,114	3,114

* Indicates tank lining: Use G=Glass Lined; C=Cement Lined



◆ Manway is optional on 250 and 300 gal. only.
 Manway is standard on 400 gal. and larger.



Lochinvar, LLC
 300 Maddox Simpson Parkway
 Lebanon, Tennessee 37090
 P: 615.889.8900 / F: 615.547.1000
 Lochinvar.com